





XE2-1500G

XE2-1500G-A | XE2-1500G-C | XE2-1500G-E | XE2-1500G + 2KIT CURVO | XE2-1500G+4KIT CURVO

WORK SERIES

 EN3155	OK
 kW	150 W
 °	0° - 360° - ENDLESS
 m	3 m
 4.0	OK

	220-240VAC (50-60Hz)
	83 L/min
	0° - 90°
	OK - Running period 12h aprox

INCLUDED

- **M-BOX** METAL BOX
- **PUSHBUTTON** WITH 3m WIRE

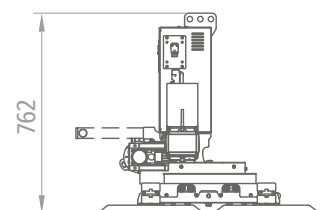
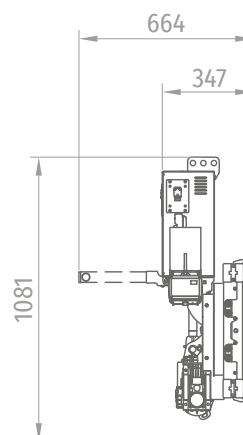
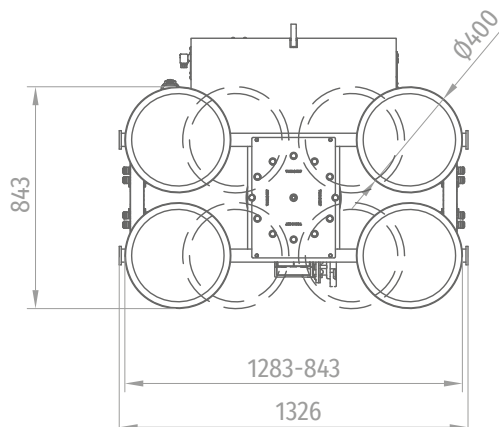
OPTIONAL

- **FU-P** COVERS
- **MI-14A** WIRELESS PUSHBUTTON CONTROLLER
- **AL-BOT** PUSHBUTTON 10m. WIRE
- **BPS03 .1** EXTERNAL AC POWER SUPPLY BOX

XE2-1500G-A

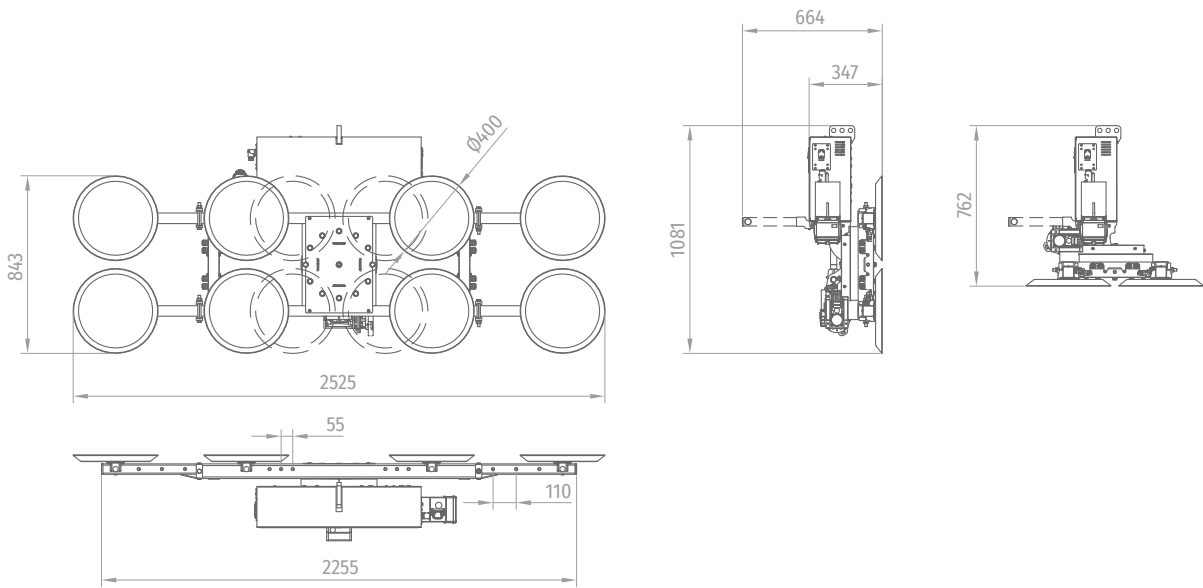


	1000 kg
	500 kg
	158 kg



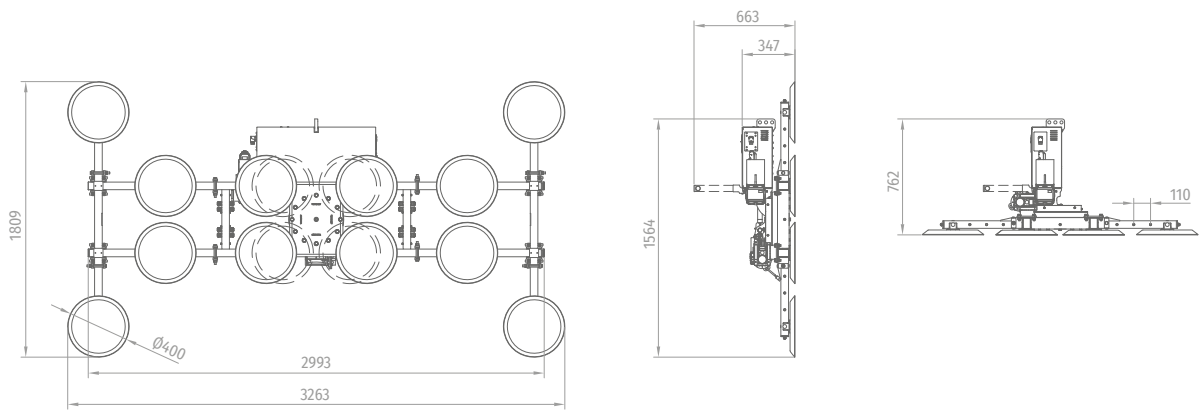
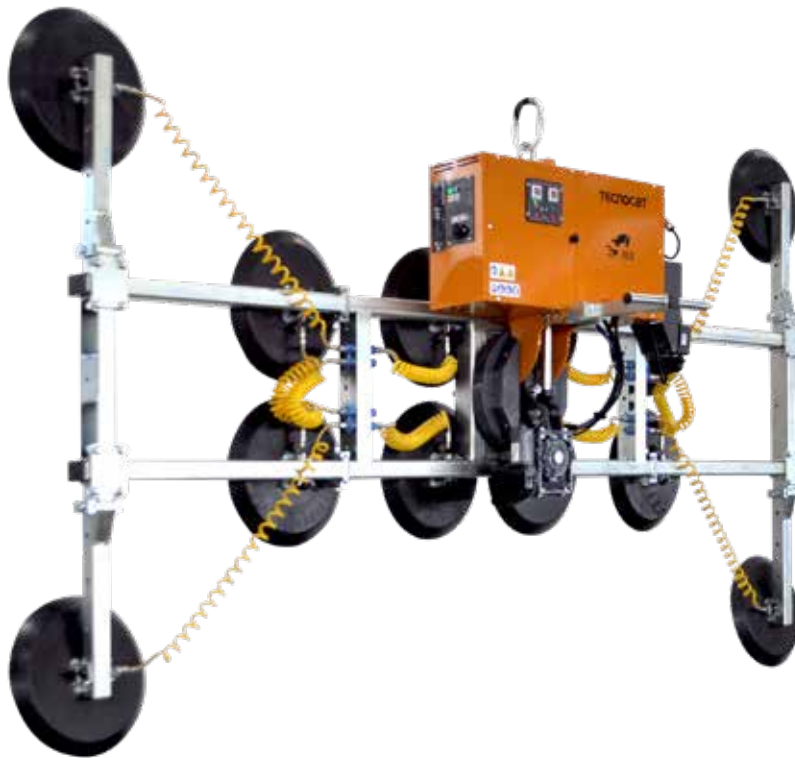
XE2-1500G-C

	1500 kg
	1000 kg
	190 kg

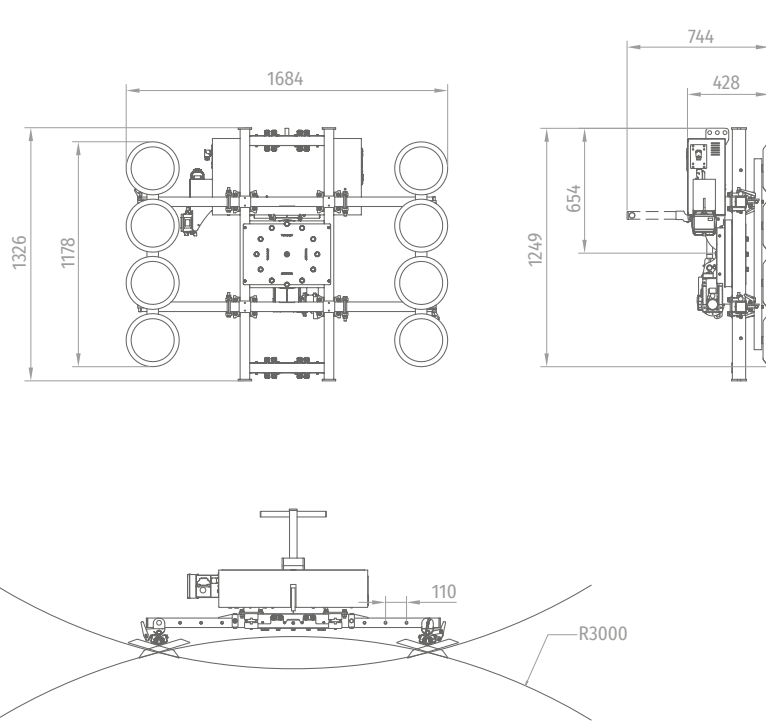


XE2-1500G-E

	1500 kg
	1500 kg
	249 kg

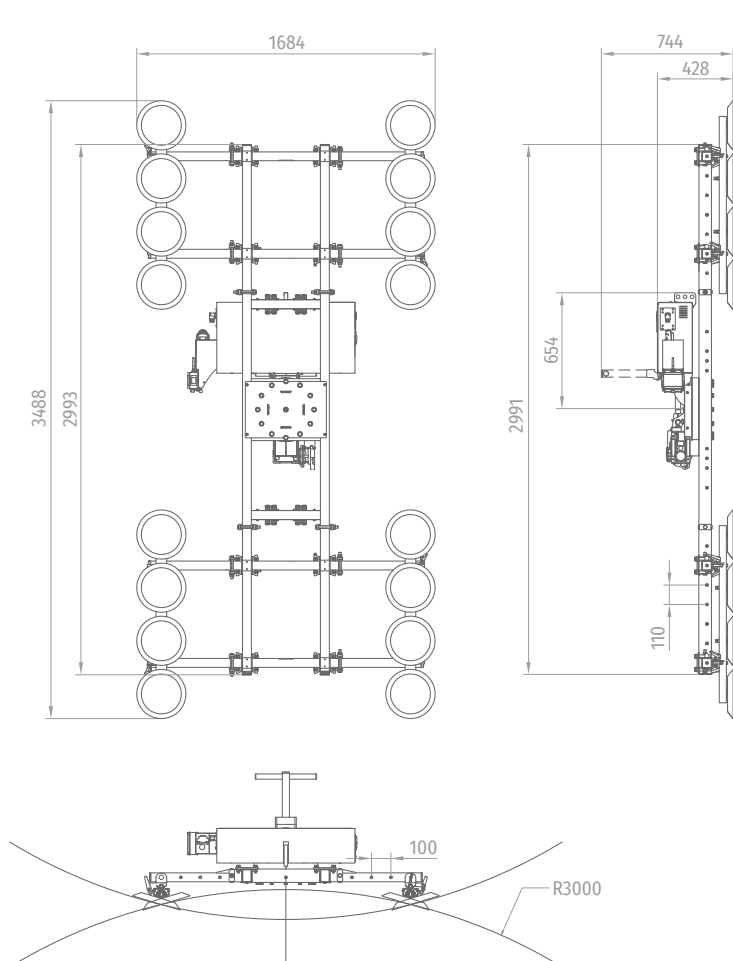


XE2-1500G + 2KIT CURVO



	400 kg
	400 kg
	200 kg

XE2-1500G + 4KIT CURVO



	800 kg
	800 kg
	270 kg