

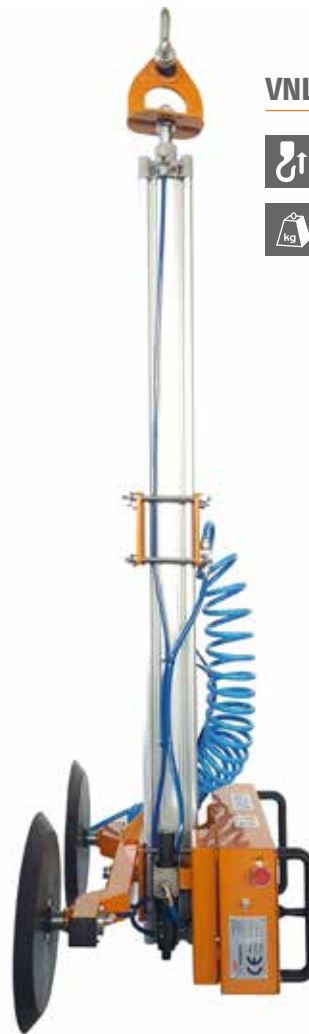
# VNL-G2 | VNL-G2+2

FACTORY SERIES

VNL-G2 COMPATIBLE WITH: CML-B4



	200 kg
	47 kg



VNL-G2+2

	200 kg
	55 kg

- \* HOIST NOT REQUIRED
- \* ELEVATION BY MEANS OF PNEUMATIC PISTON

FACTORY SERIES

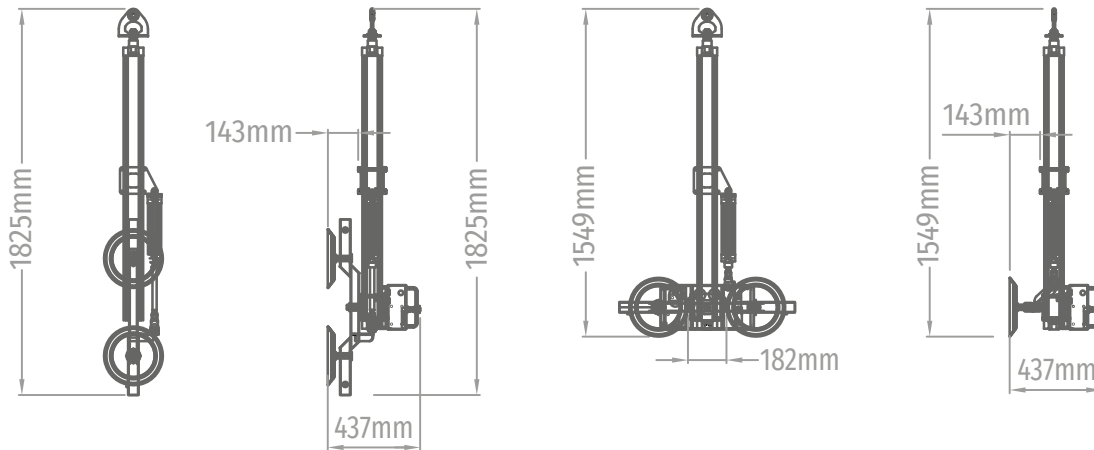


**AIR** 7 bar 200 l/min

 40 L/min

 0° - 90°

## VNL-G2



## VNL-G2+2

