

INDUSTRY 4.0

TECNOCAT WORK SERIES

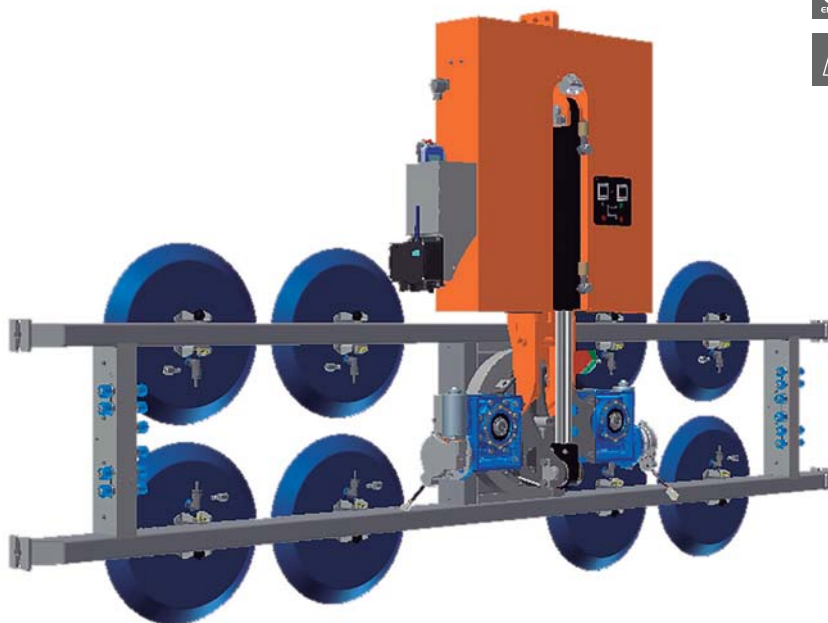
XE1-2500G-A | XE1-2500G-B | XE1-2500-C
XE1-2500G 2 KITS DE CURVO | XE1-2500G 3 KITS DE CURVO | XE1-2500G 4 KITS DE CURVO



XE1-2500G-A | XE1-2500G-B | XE1-2500-C

XE1-2500G 2 KITS DE CURVO | XE1-2500G 3 KITS DE CURVO | XE1-2500G 4 KITS DE CURVO

WORK SERIES

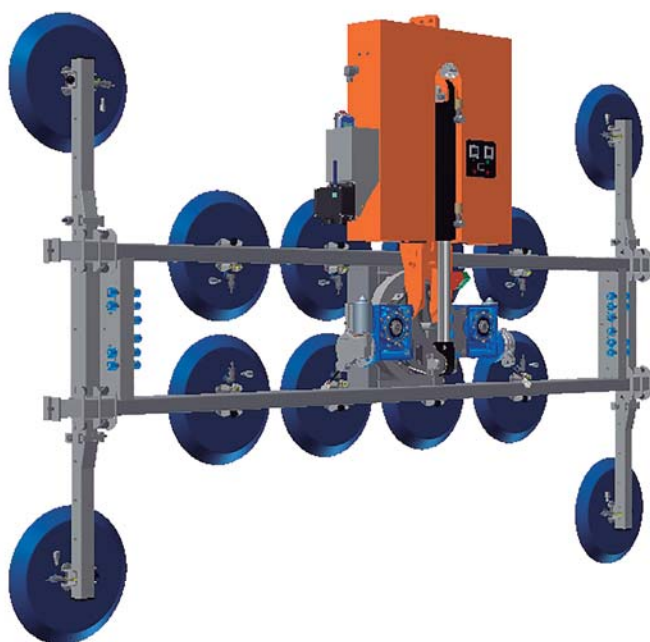
XE1-2500G-A








 1000 kg
 230 kg





WORK SERIES

XE1-2500G-B

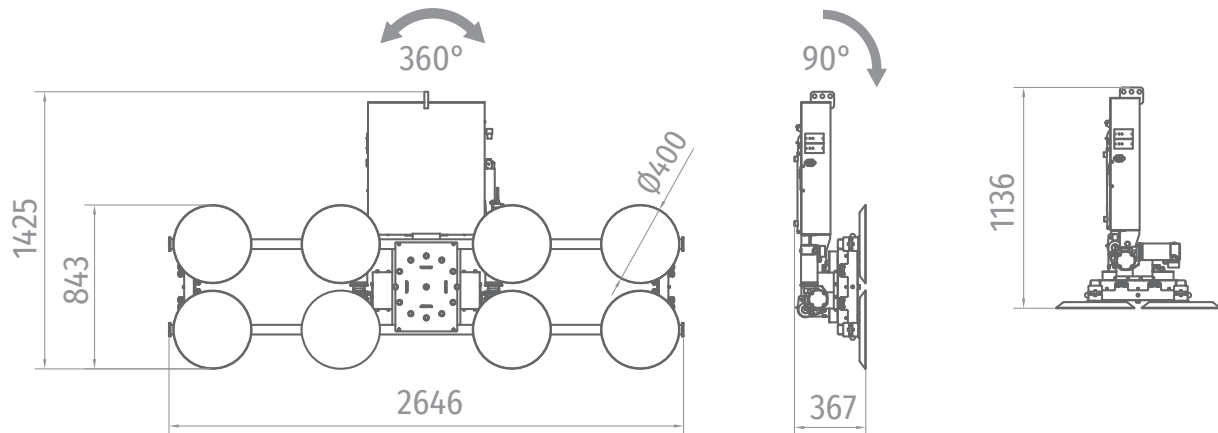


 1500 kg
 280 kg

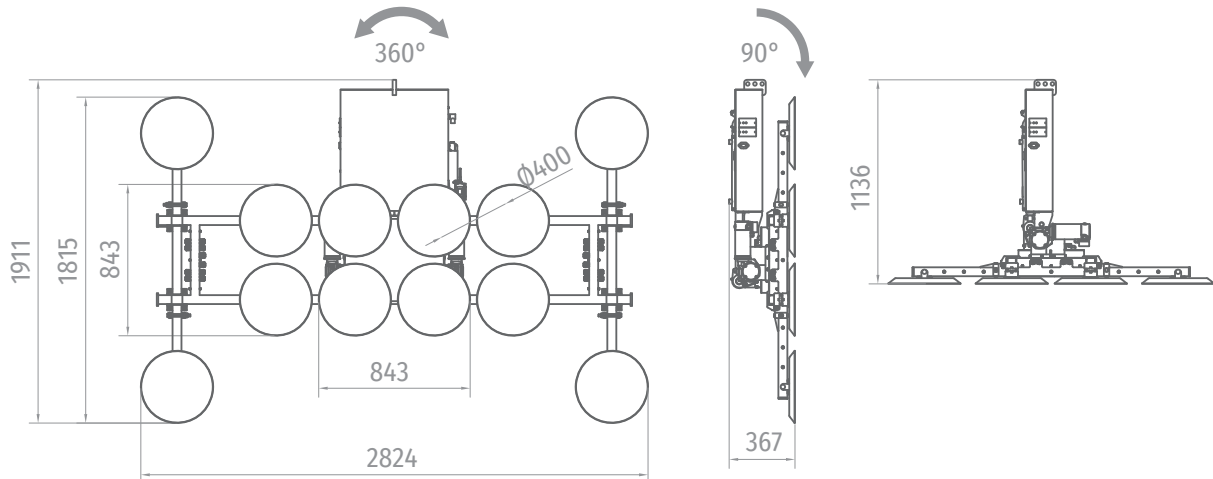
ENH3ISS	OK
kW	150 W
	0° - 360° - ENDLESS
	3 m
	INDUSTRY 4.0

	220-240VAC (50-60Hz)
	83 L/min
	0° - 90°
	OK - Running period 12h aprox

XE1-2500G-A



XE1-2500-B



INCLUDED

- MV-VOL WIRES AND PLUGS
- M-BOX METAL BOX

OPTIONAL

- FU-P COVERS
- MI-100 WIRELESS PUSHBUTTON CONTROLLER
- AL-BOT PUSHBUTTON 10m. WIRE

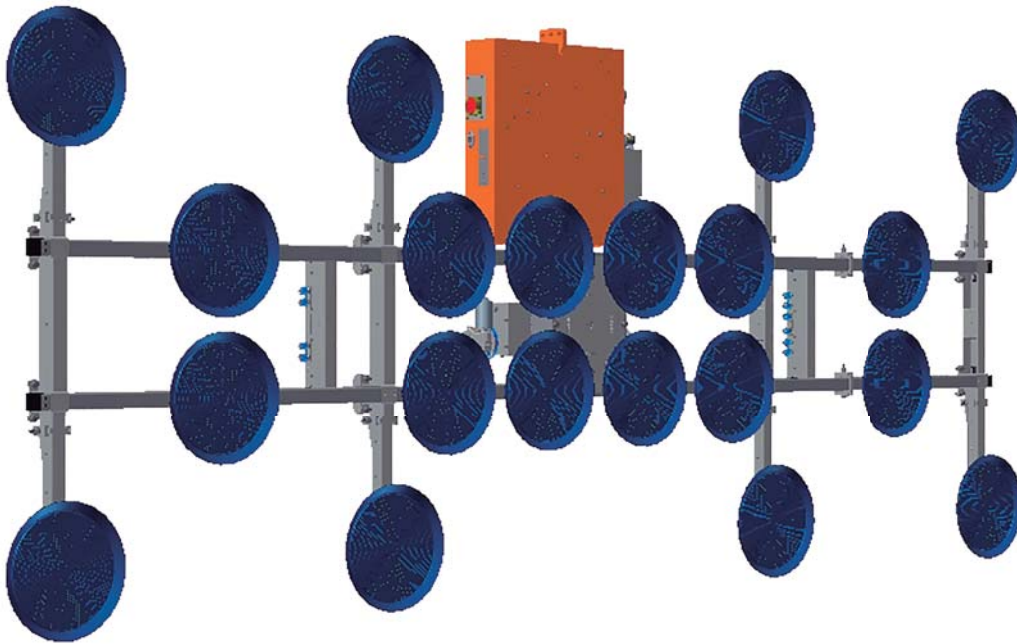
XE1-2500G-C



2500 kg



370 kg



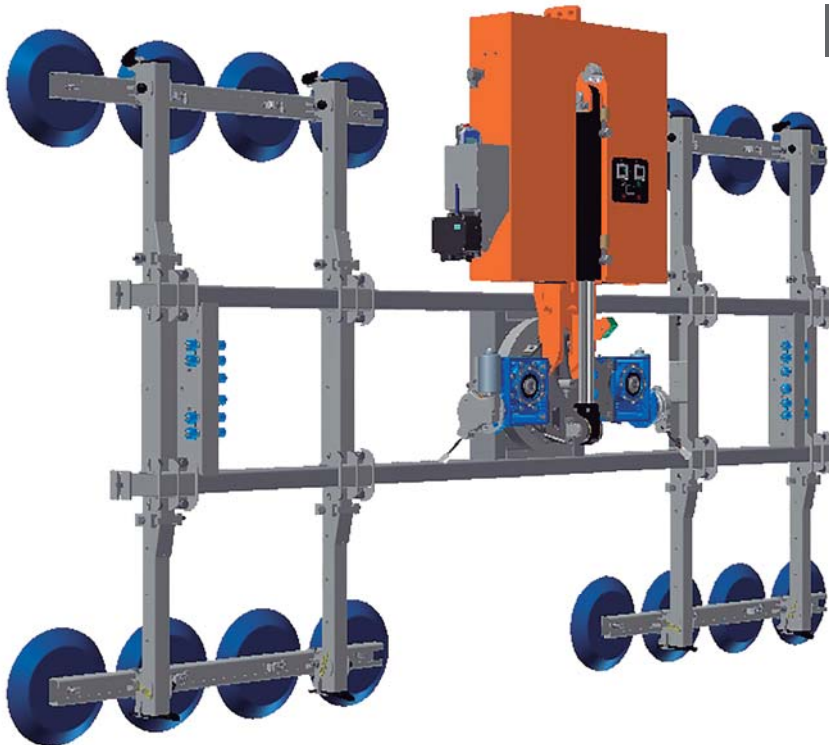
XE1-2500G 4 KITS DE CURVO



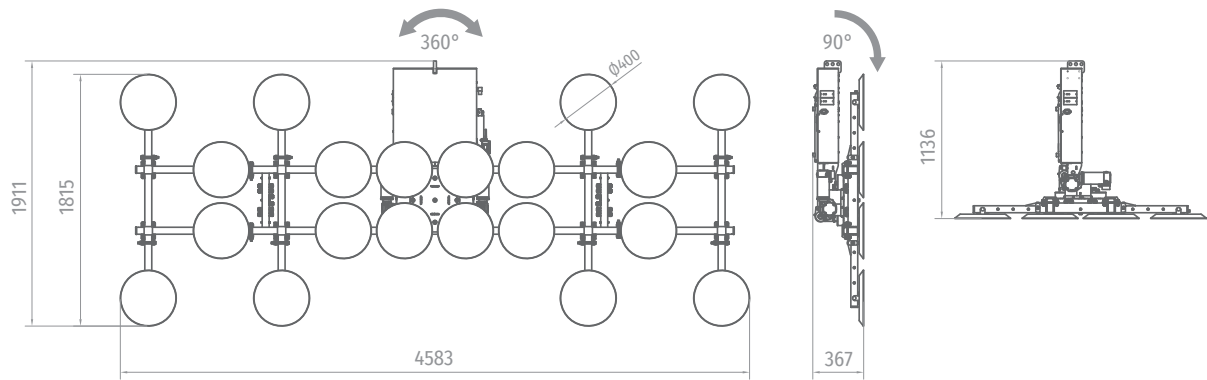
800 kg



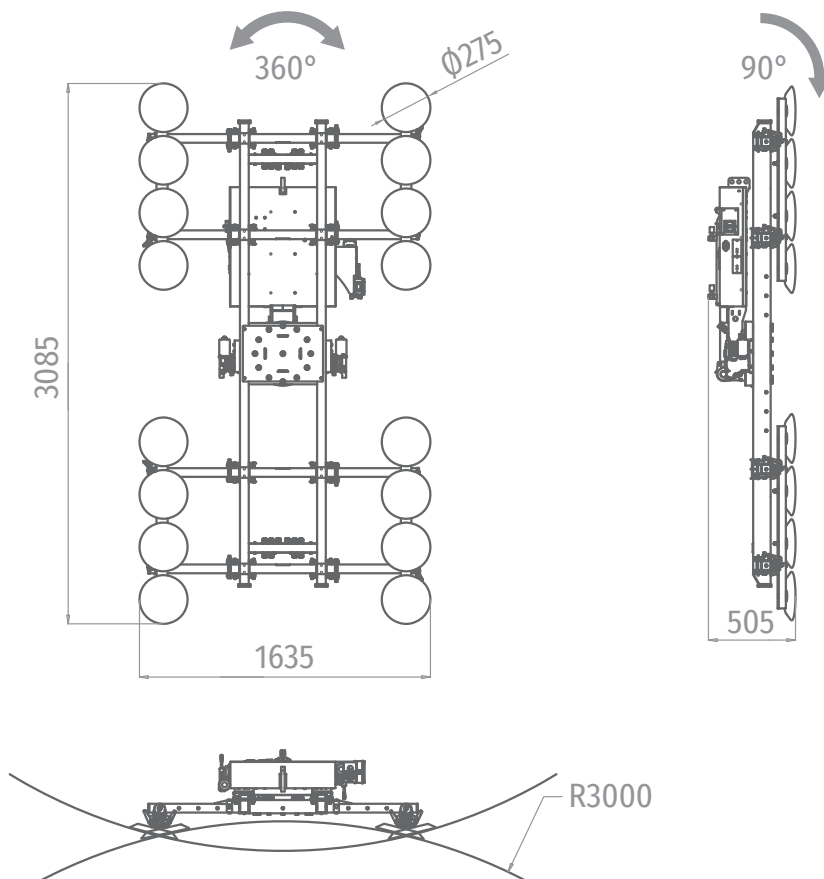
295 kg



XE1-2500G-C



XE1-2500G 4 KITS DE CURVO



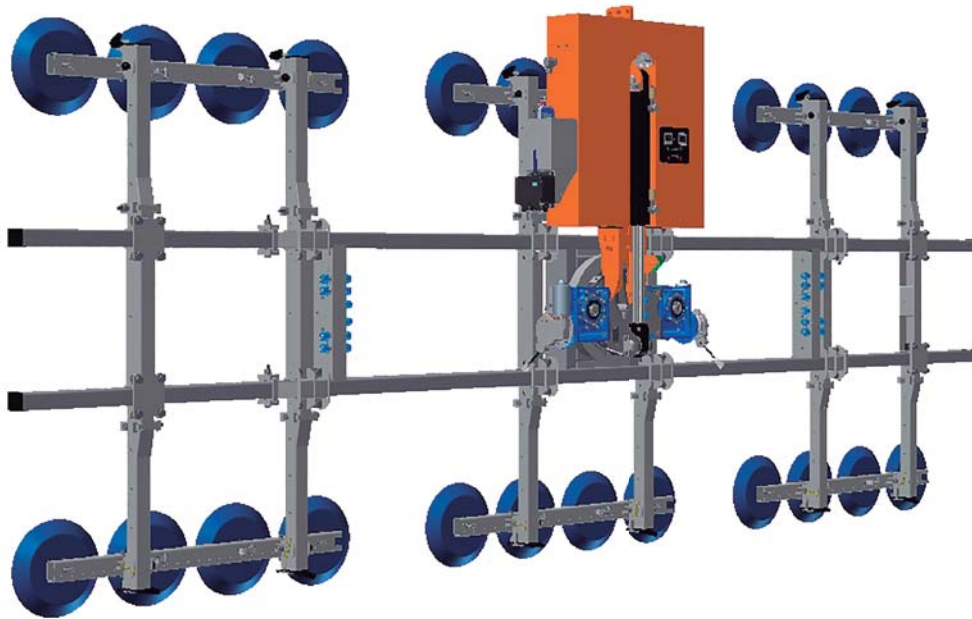
XE1-2500G 6 KITS DE CURVO



1200 kg



375 kg



XE1-2500G 8 KITS DE CURVO



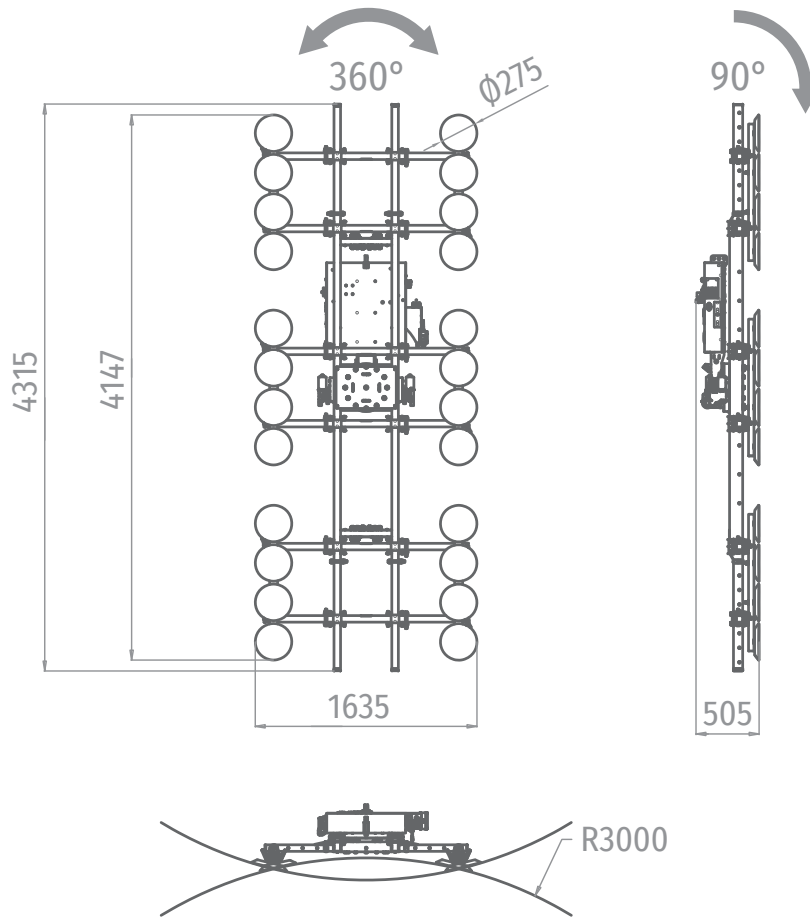
1600 kg



420 kg



XE1-2500G 6 KITS DE CURVO



XE1-2500G 8 KITS DE CURVO

