



**TECNOCAT** HANDLING

**VR60-B9 | VR60-B9+6**

# VR60-B9 | VR60-B9+6


## HANDLING




### VR60-B9+6

	1500 kg
	700 kg
	472 kg

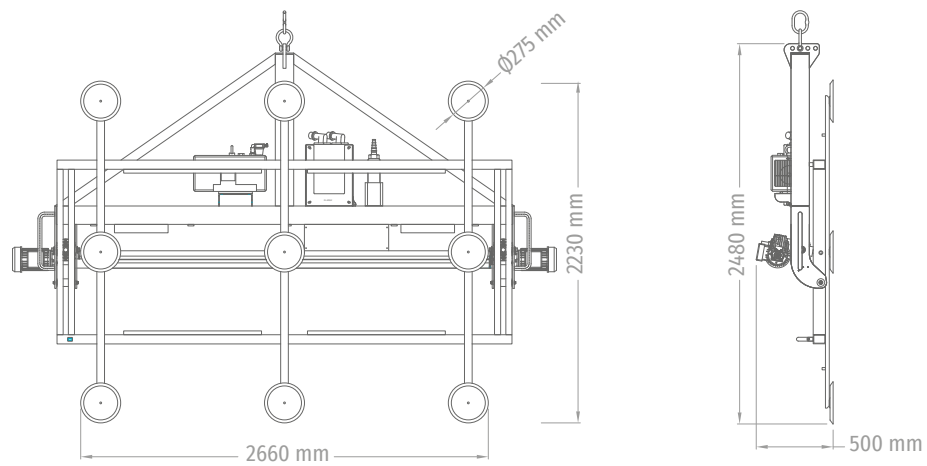
HANDLING



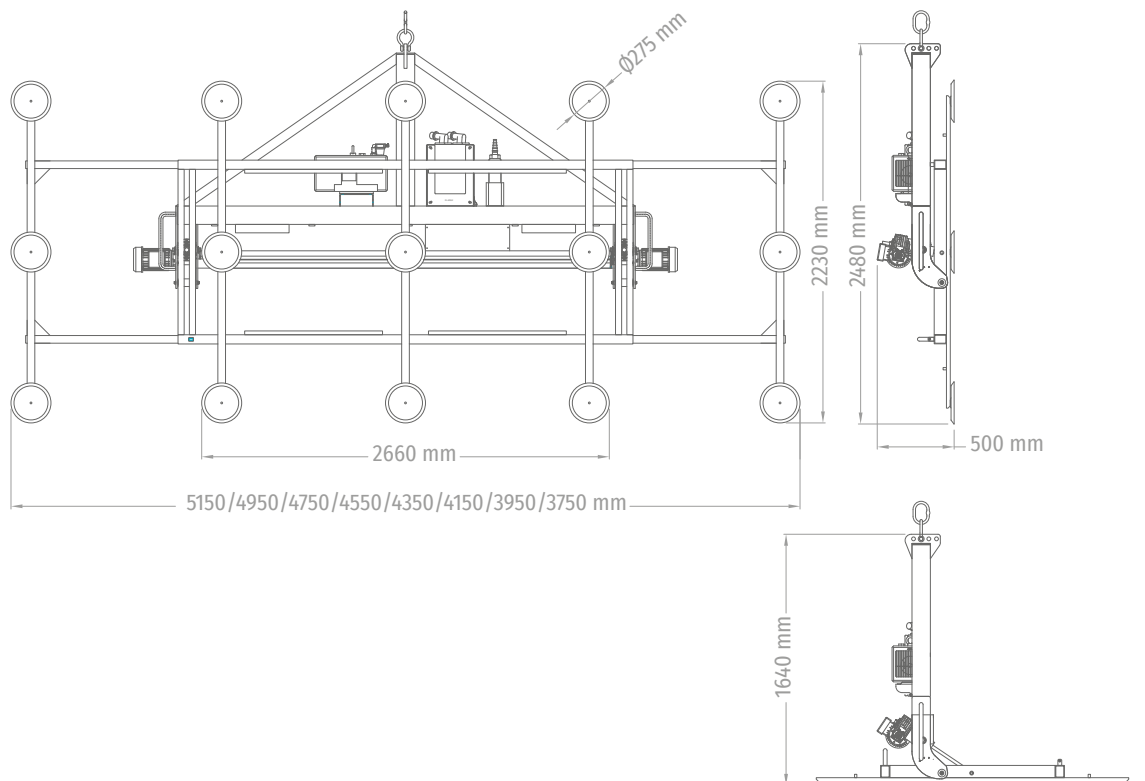
EN43155	OK
kW	950 W
	3 m.
	OK

	230 VAC (50 - 60 Hz) Monophase OPTIONAL: 230 VAC (50 - 60 Hz) Triphase OPTIONAL: 400 VAC (50 - 60 Hz) Triphase
	80 L/min
	—

## VR60-B9



## VR60-B9+6



# PICTOGRAMS



ELECTRICAL POWER



MANUAL ROTATION EQUIPMENT



NOMINAL ELECTRIC POWER



PNEUMATIC ROTATION EQUIPMENT



ENERGY AUTONOMY BY BATTERIES



MOTORIZED ROTATION EQUIPMENT



PNEUMATIC SUPPLY



HYDRAULIC ROTATION EQUIPMENT



MAXIMUM LOAD CAPACITY



EQUIPMENT WEIGHT



MAXIMUM LOAD CAPACITY ACCORDING EN-13155



VACUUM SYSTEM AIR FLOW



TILTING EQUIPMENT



PUSHBUTTON CABLE LENGTH



MANUALLY TILTING EQUIPMENT



WIRELESS PUSHBUTTON



PNEUMATIC TILTING EQUIPMENT



LOAD CAPACITY ACCORDING EN-13155



MOTORIZED TILTING EQUIPMENT



EQUIPMENT SUPPORT SYSTEM



HYDRAULIC TILTING EQUIPMENT



LIFTING CRANE USABLE ROTATION



ROTATION EQUIPMENT