



TECNOCAT WORK SERIES

VR4-GB6 | VR4-GB6+8

VR4-GB6 | VR4-GB6+8

WORK SERIES

VR4-GB6






	1440 kg
	720 kg
	194 kg






VR4-GB6+8



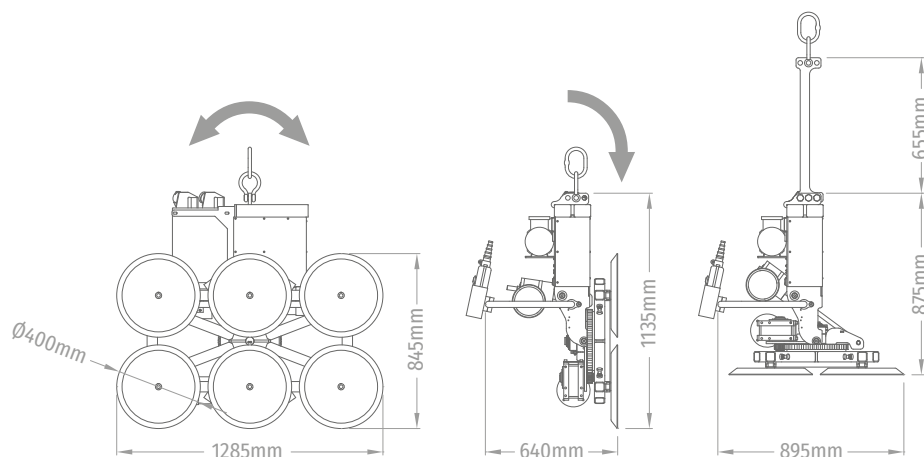
	1460 kg
	1120 kg
	242 kg

WORK SERIES

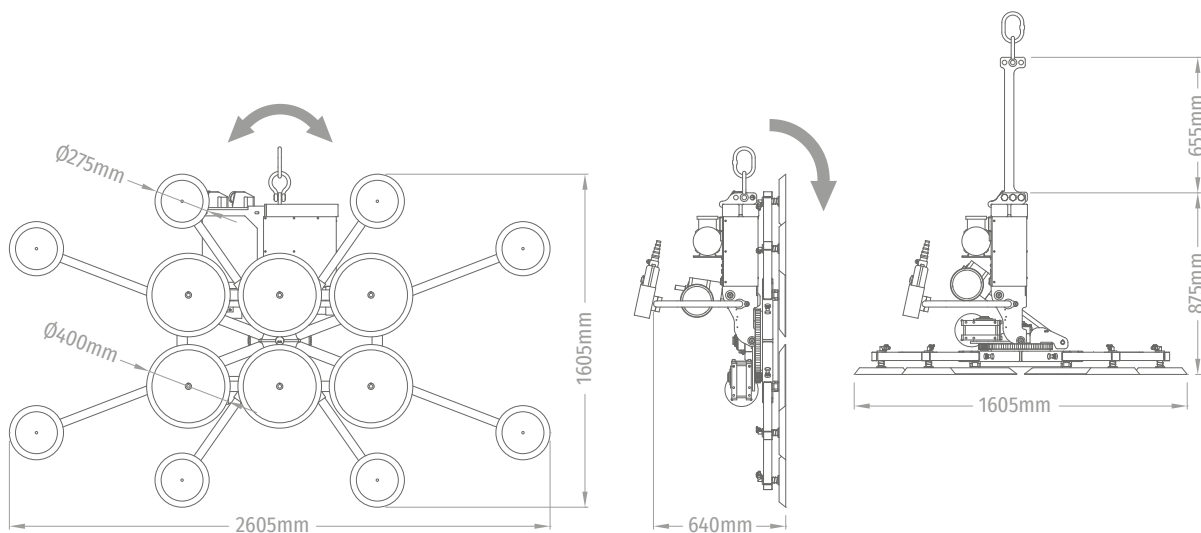
 OK
kW 950 W
 0° - 360° - ENDLESS
 3 m

 200 - 500 VAC (50 - 60 Hz) + 24 VDC
 83 L/min
 0° - 90°
 OK - Running period 12h aprox
 OK

VR4-GB6



VR4-GB6+8



INCLUDED

- **MV-VOL** WIRES AND PLUGS
- **M-BOX** METAL BOX
- **ALF** METAL HANGING EXTENSION

OPTIONAL

- **FU-P** COVERS
- **MI-100** WIRELESS PUSHBUTTON CONTROLLER
- **AL-BOT** PUSHBUTTON 10m. WIRE

PICTOGRAMS



ELECTRICAL POWER



MANUAL ROTATION EQUIPMENT



NOMINAL ELECTRIC POWER



PNEUMATIC ROTATION EQUIPMENT



ENERGY AUTONOMY BY BATTERIES



MOTORIZED ROTATION EQUIPMENT



PNEUMATIC SUPPLY



HYDRAULIC ROTATION EQUIPMENT



MAXIMUM LOAD CAPACITY



EQUIPMENT WEIGHT



MAXIMUM LOAD CAPACITY ACCORDING EN-13155



VACUUM SYSTEM AIR FLOW



TILTING EQUIPMENT



PUSHBUTTON CABLE LENGTH



MANUALLY TILTING EQUIPMENT



WIRELESS PUSHBUTTON



PNEUMATIC TILTING EQUIPMENT



LOAD CAPACITY ACCORDING EN-13155



MOTORIZED TILTING EQUIPMENT



EQUIPMENT SUPPORT SYSTEM



HYDRAULIC TILTING EQUIPMENT



LIFTING CRANE USABLE ROTATION



ROTATION EQUIPMENT