

**TECNOCAT** WORK SERIES

VR4-GB4 | VR4-GB4+4

# VR4-GB4 | VR4-GB4+4

## WORK SERIES

### VR4-GB4



	960 kg
	480 kg
	160 kg

### VR4-GB4+4



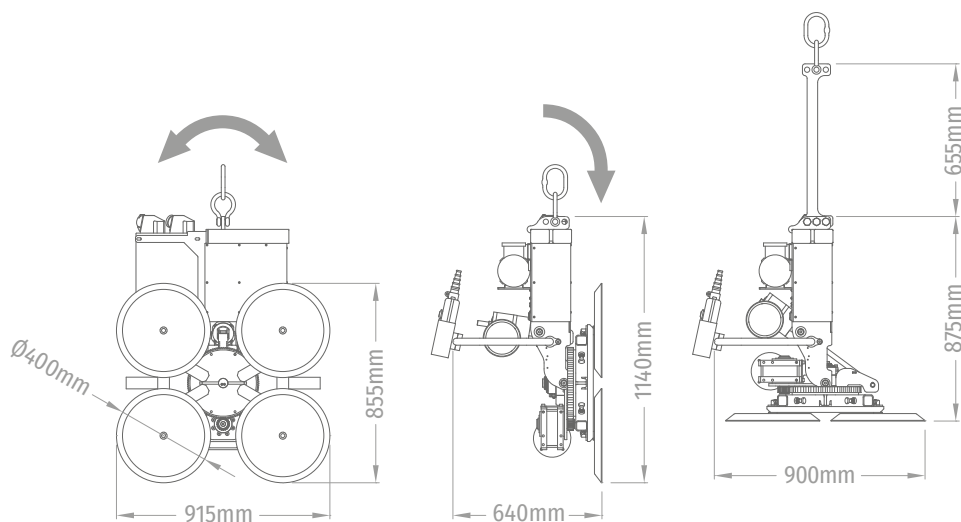
	1360 kg
	680 kg
	184 kg

WORK SERIES

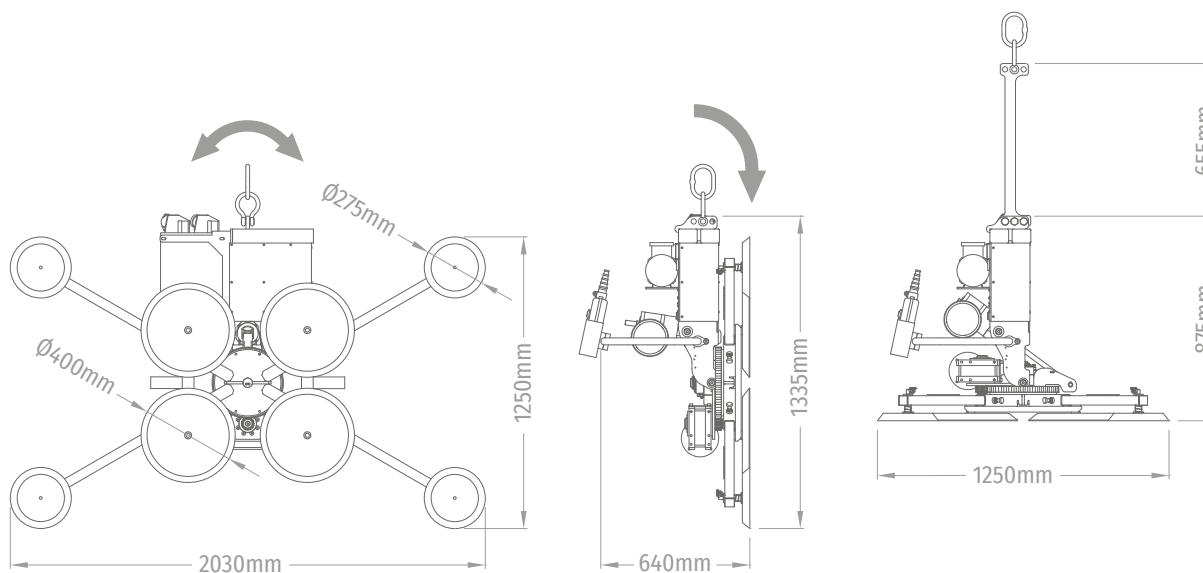
ENH355	OK
kW	950 W
	0° - 360° - ENDLESS
	3 m

	200 - 500 VAC (50 - 60 Hz) + 24 VDC
	83 L/min
	0° - 90°
	OK - Running period 12h aprox
	OK

### VR4-GB4



### VR4-GB4+4



#### INCLUDED

- MV-VOL WIRES AND PLUGS
- M-BOX METAL BOX
- ALF METAL HANGING EXTENSION

#### OPTIONAL

- FU-P COVERS
- MI-100 WIRELESS PUSHBUTTON CONTROLLER
- AL-BOT PUSHBUTTON 10m. WIRE

# PICTOGRAMS



ELECTRICAL POWER



NOMINAL ELECTRIC POWER



ENERGY AUTONOMY BY BATTERIES



PNEUMATIC SUPPLY



MAXIMUM LOAD CAPACITY



MAXIMUM LOAD CAPACITY ACCORDING EN-13155



TILTING EQUIPMENT



MANUALLY TILTING EQUIPMENT



PNEUMATIC TILTING EQUIPMENT



MOTORIZED TILTING EQUIPMENT



HYDRAULIC TILTING EQUIPMENT



ROTATION EQUIPMENT



MANUAL ROTATION EQUIPMENT



PNEUMATIC ROTATION EQUIPMENT



MOTORIZED ROTATION EQUIPMENT



HYDRAULIC ROTATION EQUIPMENT



EQUIPMENT WEIGHT



VACUUM SYSTEM AIR FLOW



PUSHBUTTON CABLE LENGTH



WIRELESS PUSHBUTTON



LOAD CAPACITY ACCORDING EN-13155



EQUIPMENT SUPPORT SYSTEM



LIFTING CRANE USABLE ROTATION