



TECNOCAT WORK SERIES



VR3-GB6 | VR3-GB6+8

VR3-GB6 | VR3-GB6+8

WORK SERIES



VR3-GB6





| | |
|---|---------|
|  | 1440 kg |
|  | 720 kg |
|  | 174 kg |






VR3-GB6+8



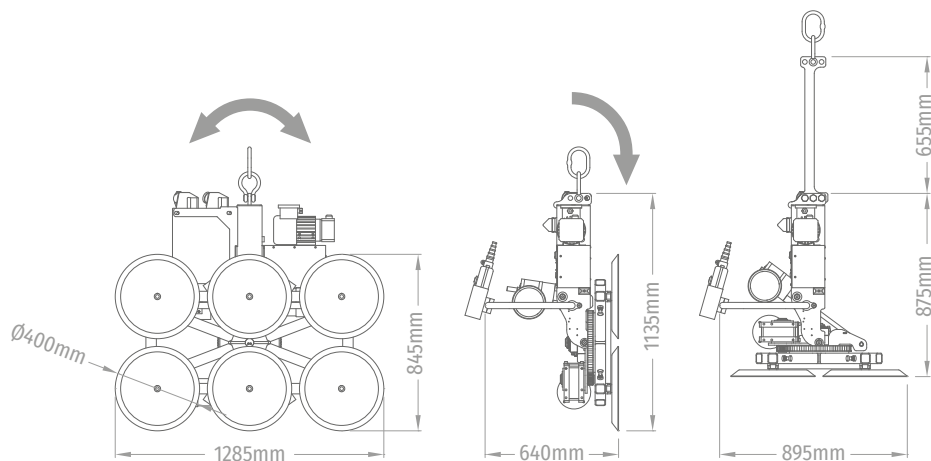
| | |
|---|---------|
|  | 1460 kg |
|  | 1120 kg |
|  | 222 kg |

WORK SERIES

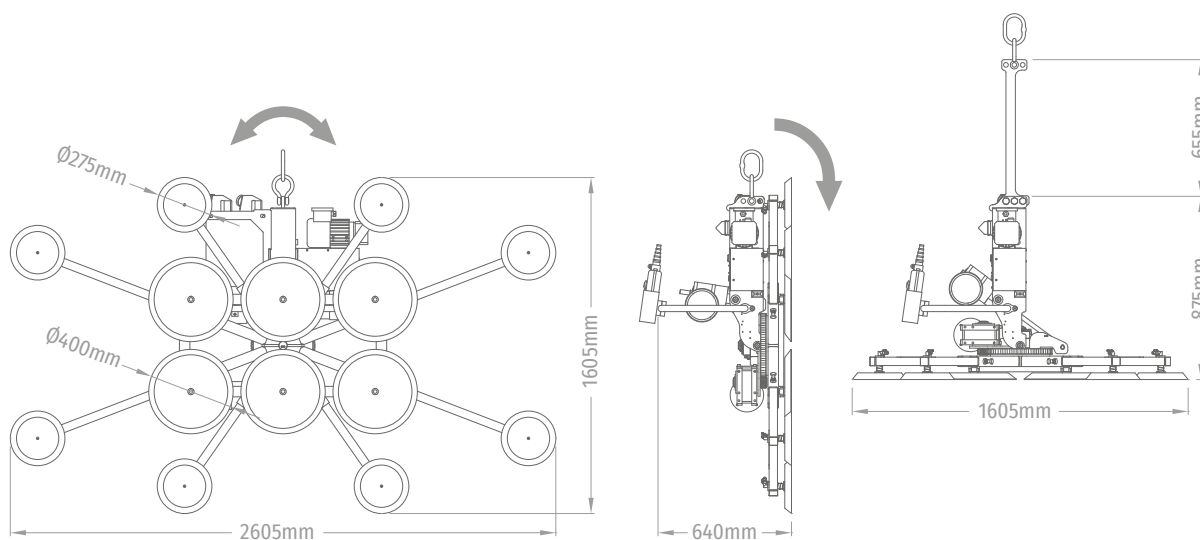
| | |
|---|---------------------|
| ENH355 | OK |
| kW | 950 W |
|  | 0° - 360° - ENDLESS |
|  | 3 m |

| | |
|---|-------------------------------------|
|  | 200 - 500 VAC (50 - 60 Hz) + 24 VDC |
|  | 83 L/min |
|  | 0° - 90° |
|  | — |
|  | OK |

VR3-GB6



VR3-GB6+8



INCLUDED

- MV-VOL WIRES AND PLUGS
- M-BOX METAL BOX
- ALF METAL HANGING EXTENSION

OPTIONAL

- FU-P COVERS
- MI-100 WIRELESS PUSHBUTTON CONTROLLER
- AL-BOT PUSHBUTTON 10m. WIRE

PICTOGRAMS



ELECTRICAL POWER



NOMINAL ELECTRIC POWER



ENERGY AUTONOMY BY BATTERIES



PNEUMATIC SUPPLY



MAXIMUM LOAD CAPACITY



MAXIMUM LOAD CAPACITY ACCORDING EN-13155



TILTING EQUIPMENT



MANUALLY TILTING EQUIPMENT



PNEUMATIC TILTING EQUIPMENT



MOTORIZED TILTING EQUIPMENT



HYDRAULIC TILTING EQUIPMENT



ROTATION EQUIPMENT



MANUAL ROTATION EQUIPMENT



PNEUMATIC ROTATION EQUIPMENT



MOTORIZED ROTATION EQUIPMENT



HYDRAULIC ROTATION EQUIPMENT



EQUIPMENT WEIGHT



VACUUM SYSTEM AIR FLOW



PUSHBUTTON CABLE LENGTH



WIRELESS PUSHBUTTON



LOAD CAPACITY ACCORDING EN-13155



EQUIPMENT SUPPORT SYSTEM



LIFTING CRANE USABLE ROTATION